

APPROVAL REQUIRED

Please confirm the following are correct:

Imprint Color(s)

Spelling

Imprint Size(s)

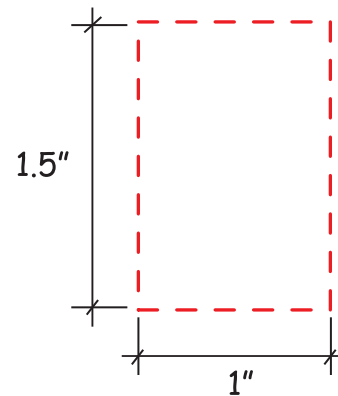
Imprint Location(s)

If changes are required, please advise us by email.

By approving this proof, you are authorizing us to print your order.

GK359 BOXING GLOVE

Imprint Color:



2.25" X 3"