

APPROVAL REQUIRED

Please confirm the following are correct:

Imprint Color(s)

Spelling

Imprint Size(s)

Imprint Location(s)

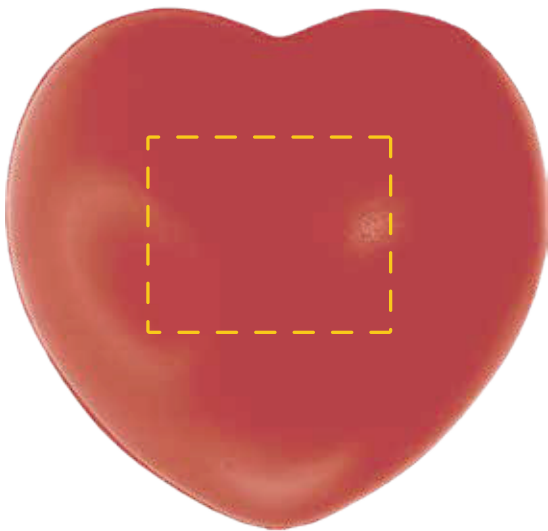
If changes are required, please advise us by email.

By approving this proof, you are authorizing us to print your order

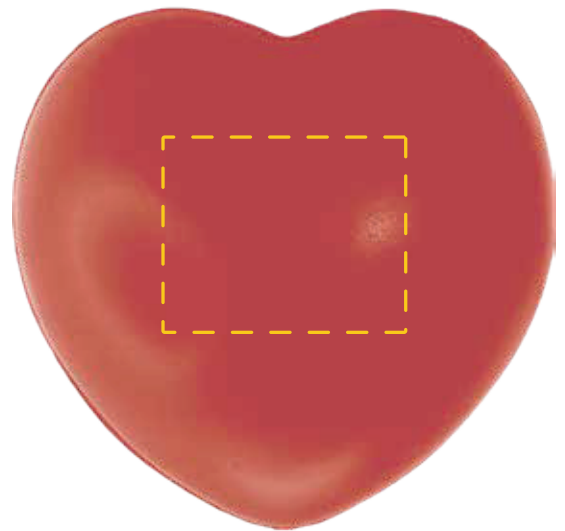
GK927082 RED HEART

IMPRINT COLOR:

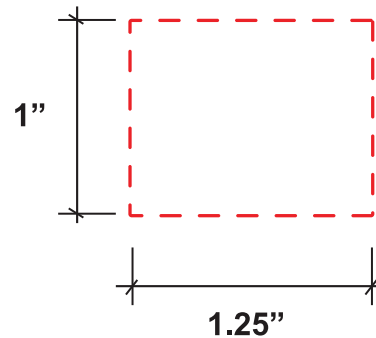
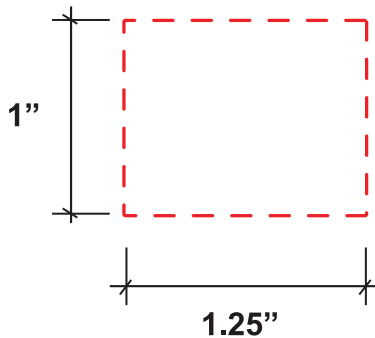
Side 1



Side 2



3" x 3"



APPROVAL REQUIRED

Please confirm the following are correct:

Imprint Color(s)

Spelling

Imprint Size(s)

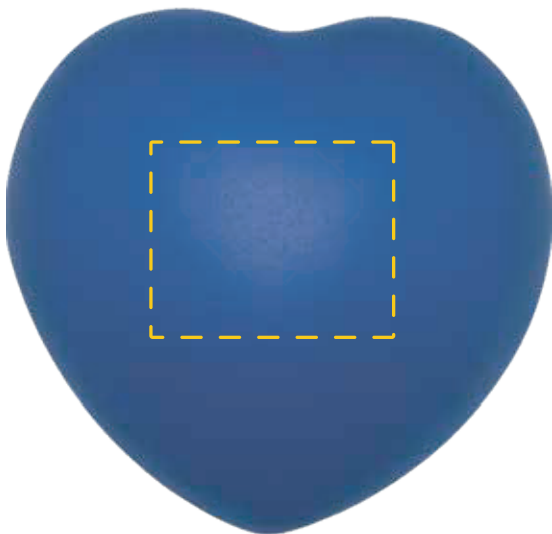
Imprint Location(s)

If changes are required, please advise us by email.
By approving this proof, you are authorizing us to print your order

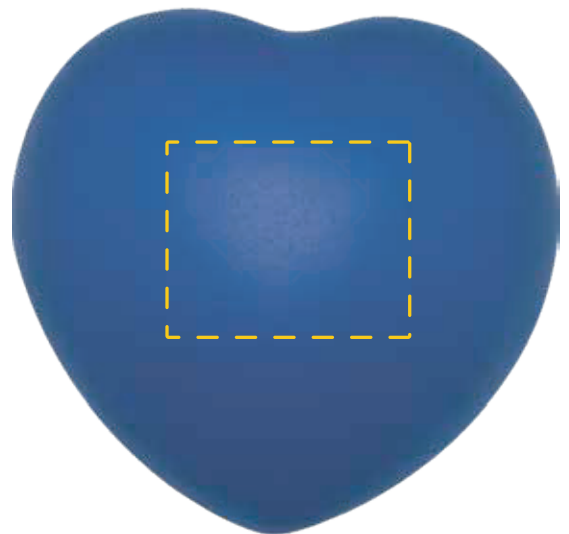
GK927673 BLUE HEART

IMPRINT COLOR:

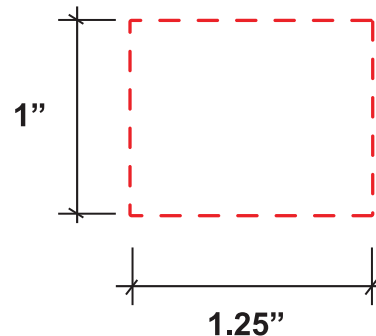
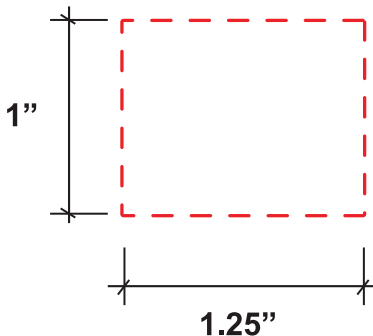
Side 1



Side 2



3" x 3"



APPROVAL REQUIRED

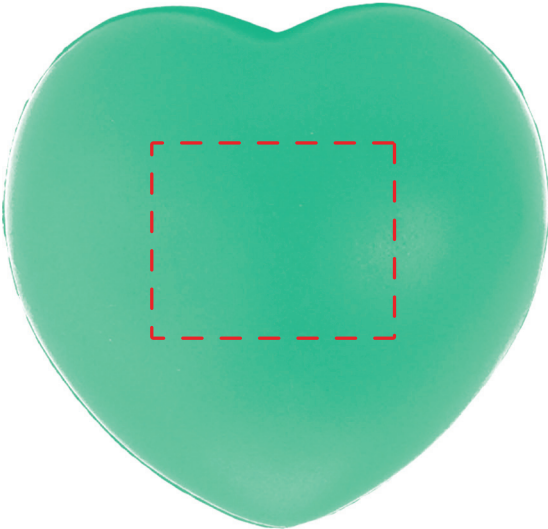
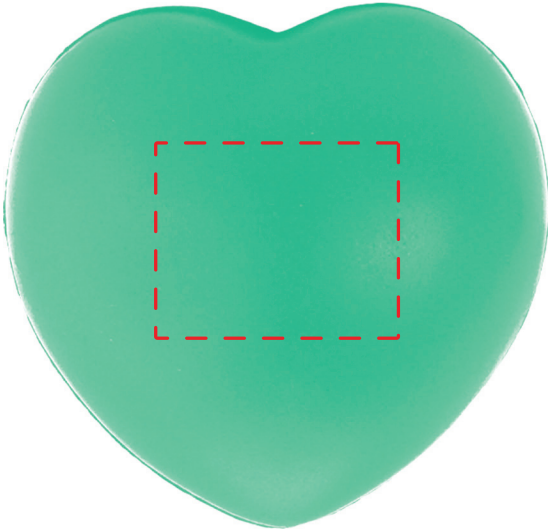
Please confirm the following are correct:

- Imprint Color(s)
- Spelling
- Imprint Size(s)
- Imprint Location(s)

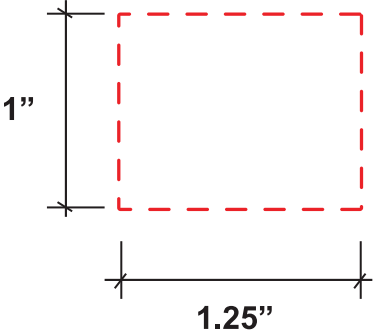
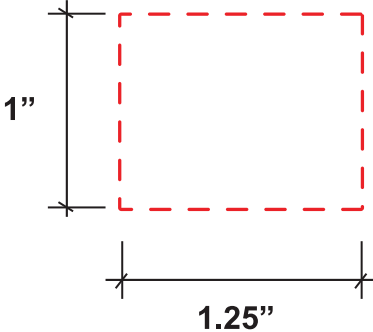
If changes are required, please advise us by email.
By approving this proof, you are authorizing us to print your order

GK927102 TEAL HEART

IMPRINT COLOR:



3" x 3"



APPROVAL REQUIRED

Please confirm the following are correct:

Imprint Color(s)

Spelling

Imprint Size(s)

Imprint Location(s)

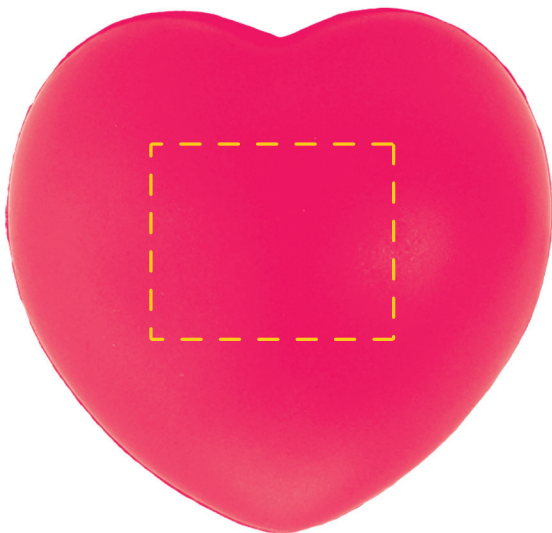
If changes are required, please advise us by email.

By approving this proof, you are authorizing us to print your order

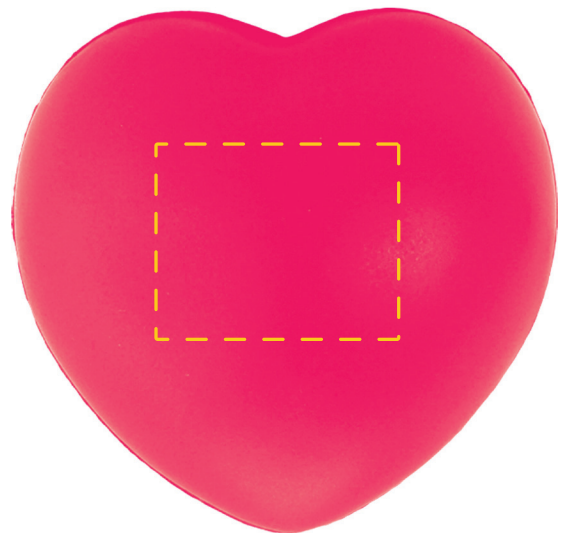
GK927323 PINK HEART

IMPRINT COLOR:

Side 1



Side 2



3" x 3"

